



# S5R1-4710

2U Active Air Cooler

**PRODUCT SPECIFICATIONS**

Rev\_2.0

## Table of Contents

1. Product Description .....	4
2. Performance Curve .....	5 & 6
3. Product Assembly Detail .....	7
4. Product Dimension .....	8

## Model Number: S5R1-4710

- Recommend for Intel® CPU as following
  - Intel® Granit Rapids SP, Socket FCLGA 4710
- Active Cooler for 2U Server & Up

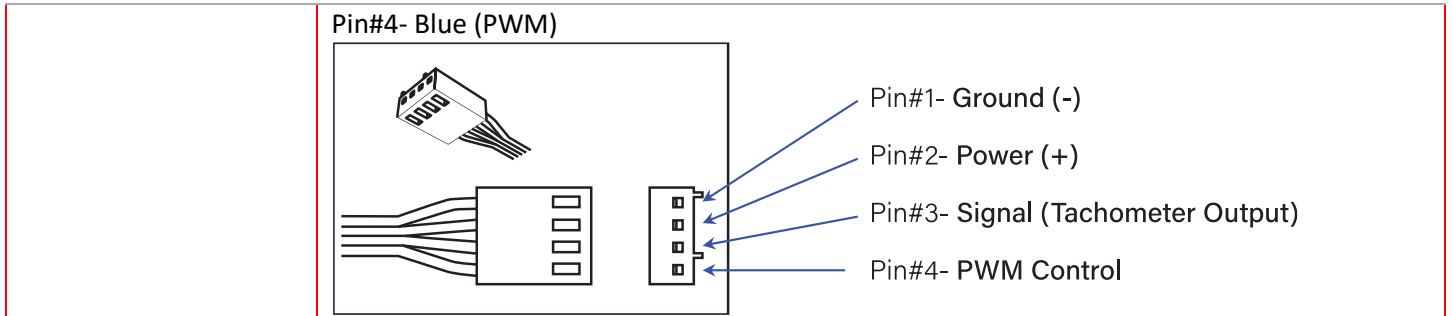
## Overall Specification

Dimension	118 x 82 x 67 mm
Weight	470 g
Material	5 Heatpipes with Aluminum Fin Base and Aluminum Fin Stack
Fan	6025 Side-blow fan with PWM Function
Mounting Method	Intel LGA 4710 standard Mounting Kits
Package Carrier	PHM Package Carrier is included
Thermal Grease	SHIT-ETSU X23-8079-2
TDP	Support CPU Power up to 550 Watts@40°C ambient Heat Dissipation

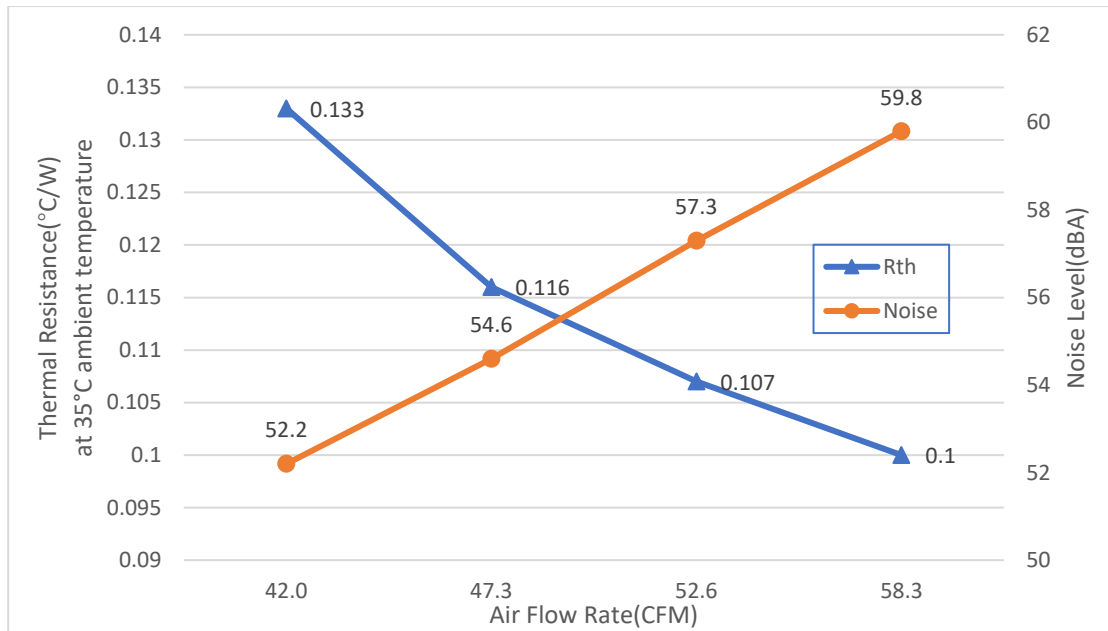
## Cooling Fan Specification

Model Number	DF126025BU-PWMH
Dimension	60 x 60 x 25 mm
Bearing	Double Ball
Rated Voltage	12V
Rated Speed	At Duty Cycle 0~20%: 2300± 200 RPM At Duty Cycle 50%: 5400± 10% RPM At Duty Cycle 100%: 11000±10% RPM
Input Power	At Duty Cycle 0~20%: 0.84 W At Duty Cycle 50%: 2.76 W At Duty Cycle 100%: 18.0 W
Maximum Airflow	At Duty Cycle 0~20%: 11.91 CFM At Duty Cycle 50%: 28.38 CFM At Duty Cycle 100%: 58.31 CFM
Rated Static Pressure	At Duty Cycle 0~20%: 1.48 mm-H2O At Duty Cycle 50%: 7.54 mm-H2O At Duty Cycle 100%: 28.8 mm-H2O
Acoustical Noise	At Duty Cycle 0~20%: 25.8 dBA At Duty Cycle 50%: 44.4 dBA At Duty Cycle 100%: 59.8 dBA
Lead Wire Pin Out	Pin#1- Black(-) Pin#2- Yellow(+) Pin#3- Green(Tachometer/ Signal Output)

S5R1-4710 | Socket LGA 4710

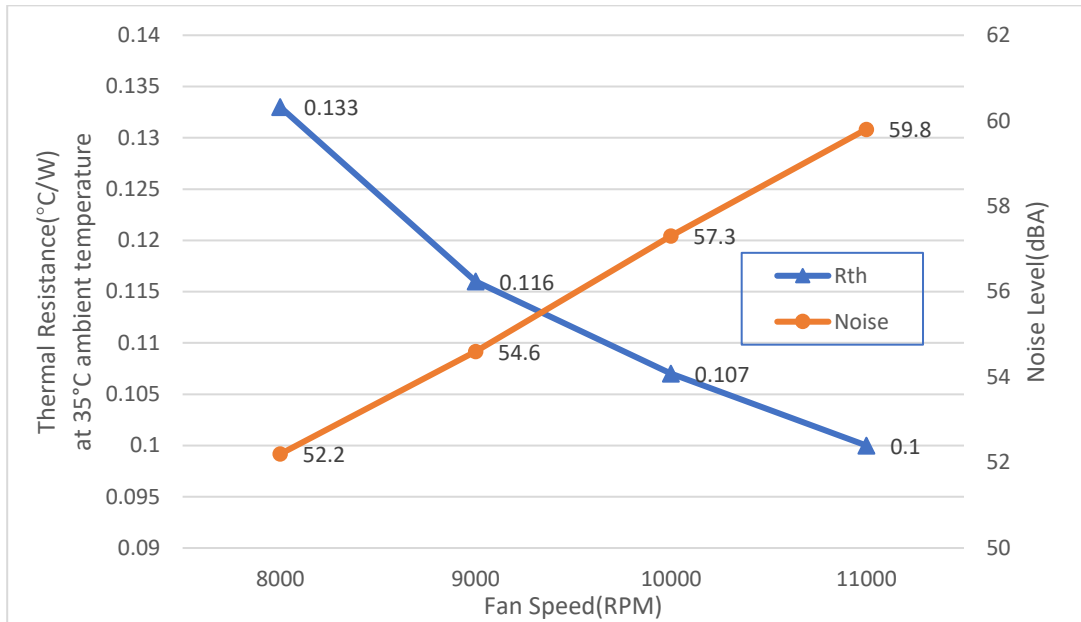


## Performance Chart: Active Cooler S5R1-4710 Thermal Resistance Active Cooler S5 Cooling Performance vs. Airflow



S5R1-4710 | Socket LGA 4710

## Active Cooler S5R1-4710 Cooling Performance vs. Fan Speed



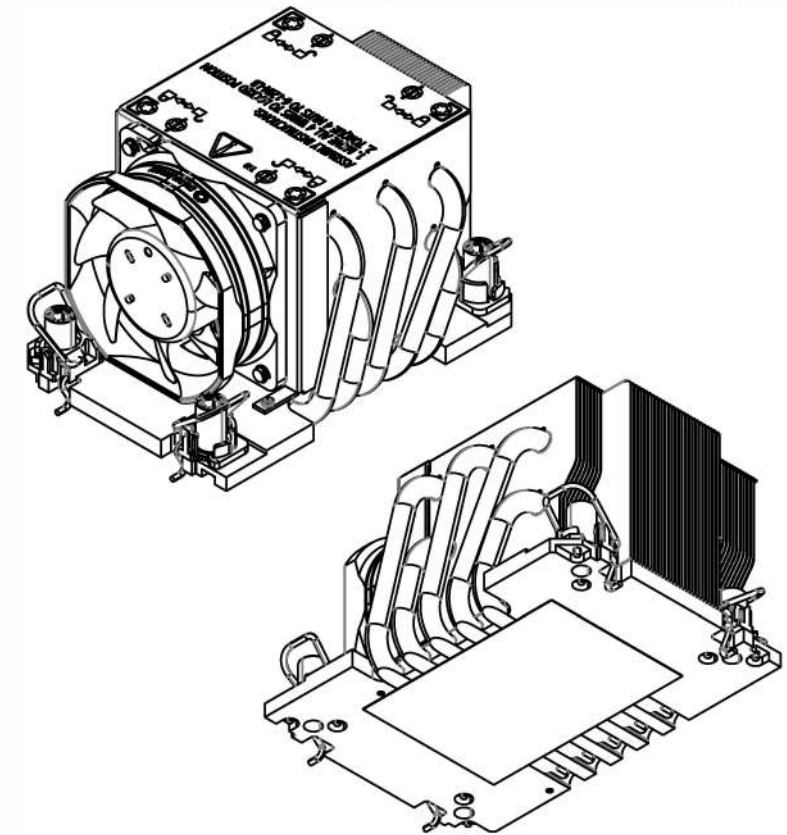
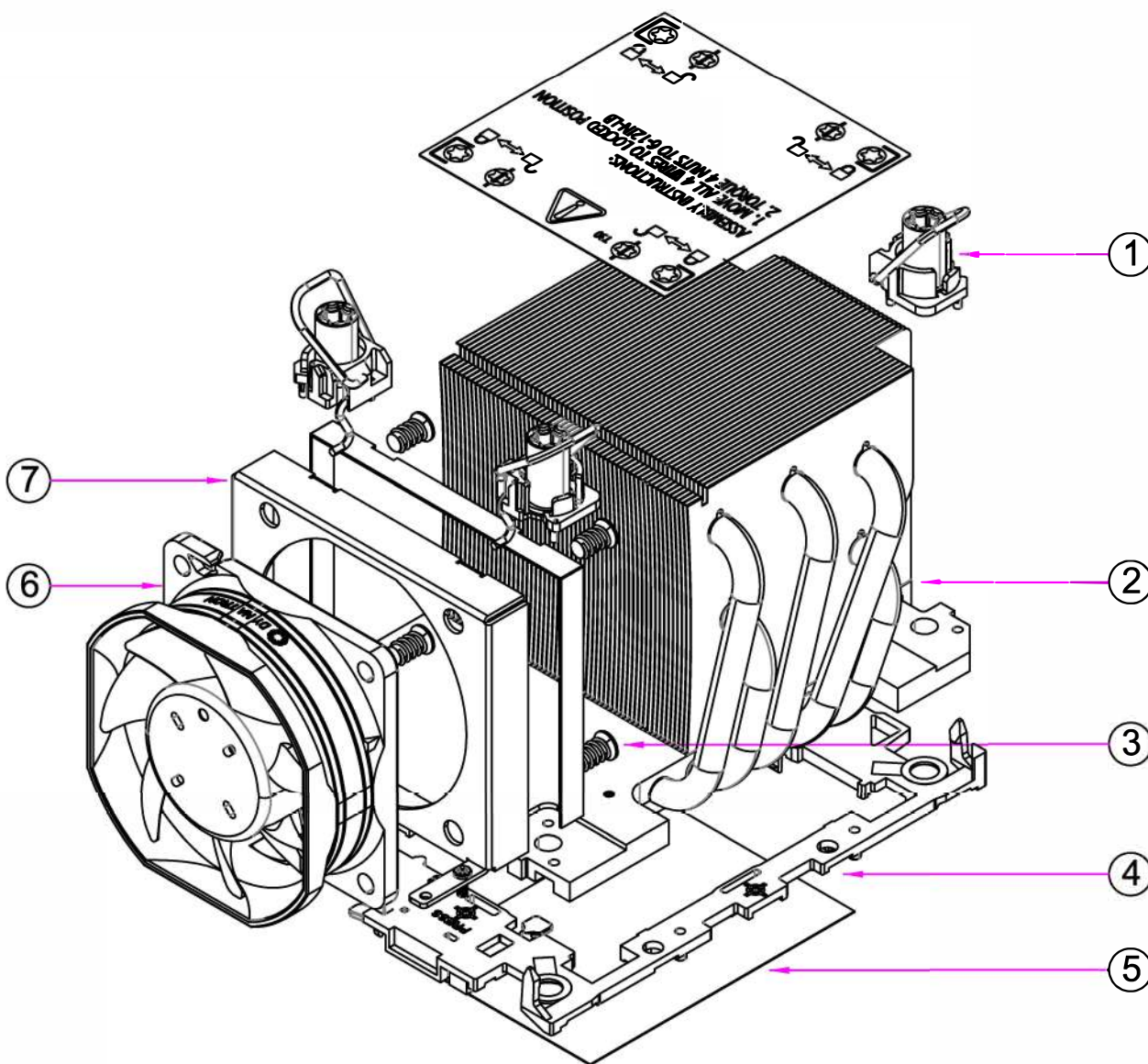
# CONFIDENTIAL DOCUMENT

THIS DRAWING CONTAINS INFORMATION PROPRIETARY TO DYNATRON CORPORATION AND DYNAEON INDUSTRIAL CO., LTD. ANY REPRODUCTION, DISCLOSURE, OR USE OF THIS DRAWING IS EXPRESSLY PROHIBITED EXCEPT AS DYNATRON CORPORATION AND DYNAEON INDUSTRIAL CO., LTD. MAY OTHERWISE AGREE TO IN WRITING.

## ASSEMBLY PARTS

## WHOLE SET OF HEATSINK


REV#	DESCRIPTION	CHECKER	DATE
0.0	INITIAL RELEASE	LANG	02/25/2021
1.0	CHANGE FAN COVER MATERIAL, D-8 UPDATE COOLING FAN DESIGN, D-1	LANG	08/09/2022



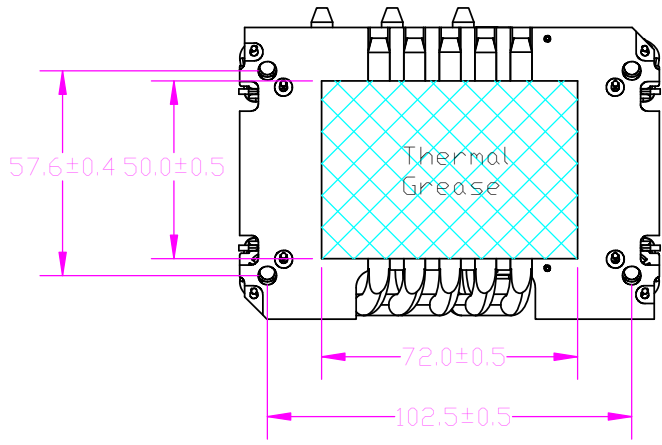
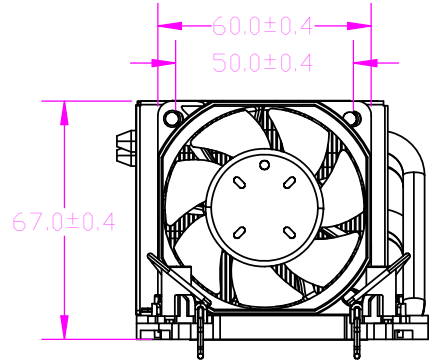
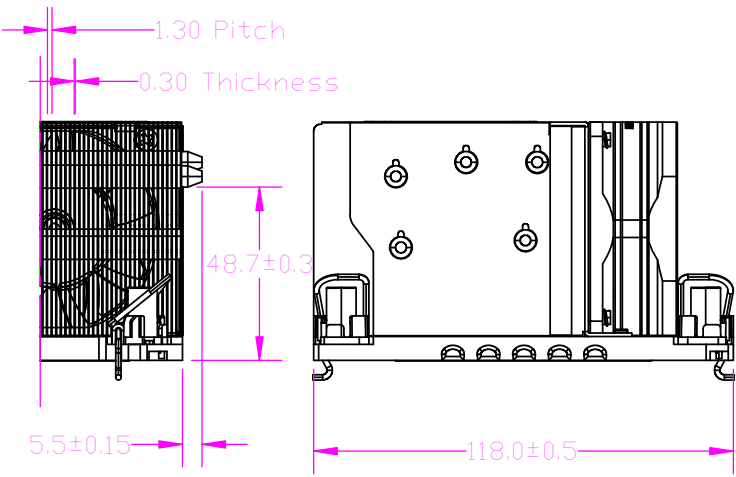
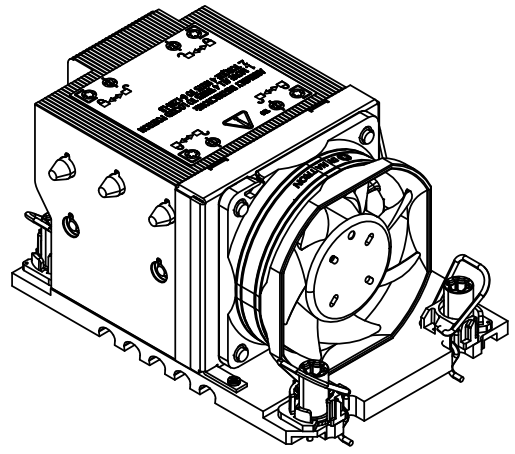
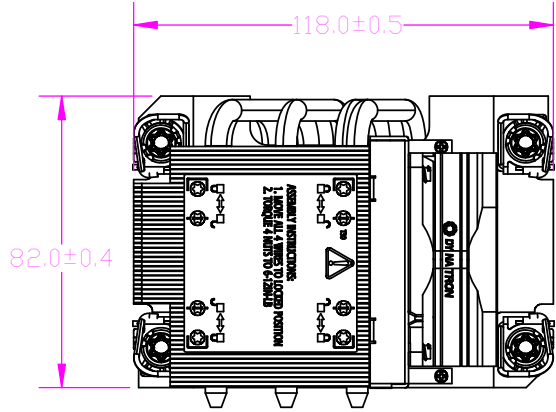
### NOTES:

1. THE FIGURE IS FOR REFERENCE ONLY, AND NOT FOR SCALE
2. OVERALL DIMENSION : 118 x 82 x 66 mm
3. OVERALL WEIGHT : 470 g

ITEM#	DESCRIPTION	MATERIAL	QTY.
7	FAN BRACKET	SPCC	1
6	FAN, DF126025BU-PWM	PLASTIC	1
5	THERMAL GREASE, PRE-PRINTED	SHIN-ETSU 7762	1
4	INTEL PACKAGE CARRIER	PLASTIC	1
3	SCREW, FAN MOUNTING	STEEL	4
2	HEATSINK, with STACKED FINS	HEAT PIPES ALUMINUM BASE ALUMINUM STACKED FIN	1
1	ANTI-TILT ROTATING WIRE ASSEMBLY SET	PLASTIC NUT AND CAPTIVATION STEEL ROTATING WIRE	4

DATE	NAME	DYNATRON CORPORATION	
08/09/2022	Engr	 <b>TITLE:</b> 2U Server Active Cooler Model <b>S5</b> BOM & Exploded Assembly Drawing	
08/09/2022	LANG		
DWG. No:		DYN-EP-S5	REV 1.0

REV#	DESCRIPTION	CHECKER	DATE
0.0	INITIAL RELEASE	JUN	08/07/23



	NAME	DATE
DRAWN BY	JUN	8/7/2023
CHECKED BY	JUN	8/7/2023
ENG. APPROVED		
MFG. APPROVED		

 **DYNATRON CORPORATION**  
TOP MOTOR  
**TITLE:**  
2U AIR COOLER S5R1  
OVERALL DIMENSION DRAWING

**CONFIDENTIAL DOCUMENT**  
THIS DRAWING CONTAINS INFORMATION PROPRIETARY TO DYNATRON CORPORATION AND DYNAEON INDUSTRIAL CO., LTD. ANY REPRODUCTION, DISCLOSURE, OR USE OF THIS DRAWING IS EXPRESSLY PROHIBITED EXCEPT AS DYNATRON CORPORATION AND DYNAEON INDUSTRIAL CO., LTD. MAY OTHERWISE AGREE TO IN WRITING.

VIEW		DWG. No:	REV.
UNITS	MM	DYN-BD-S5R1	0.0